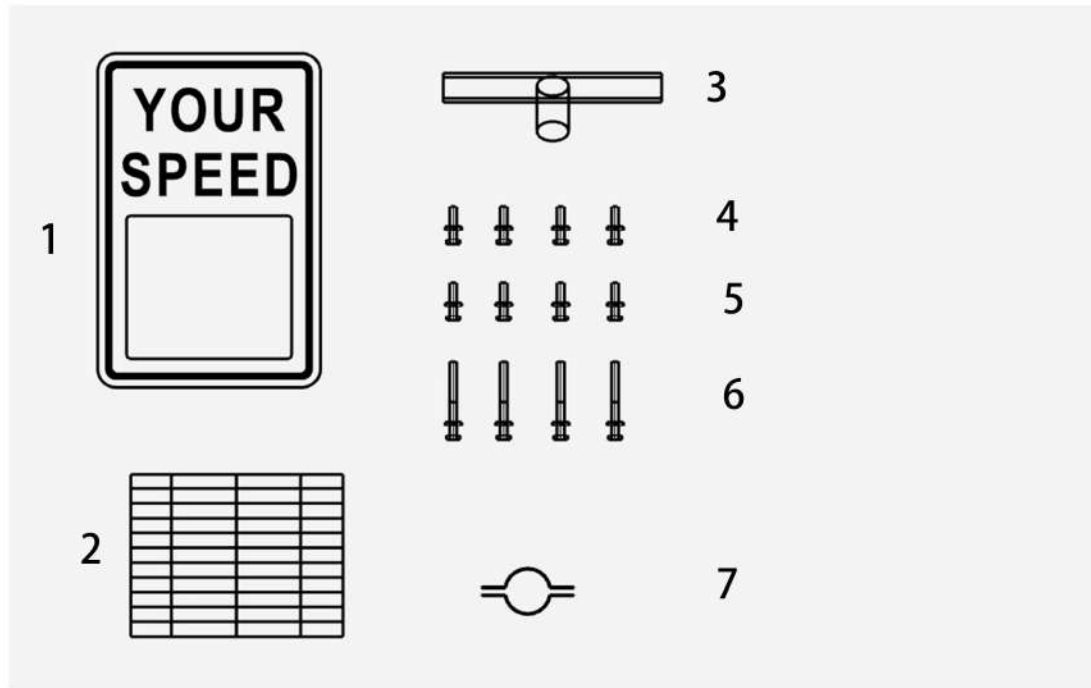


Installation

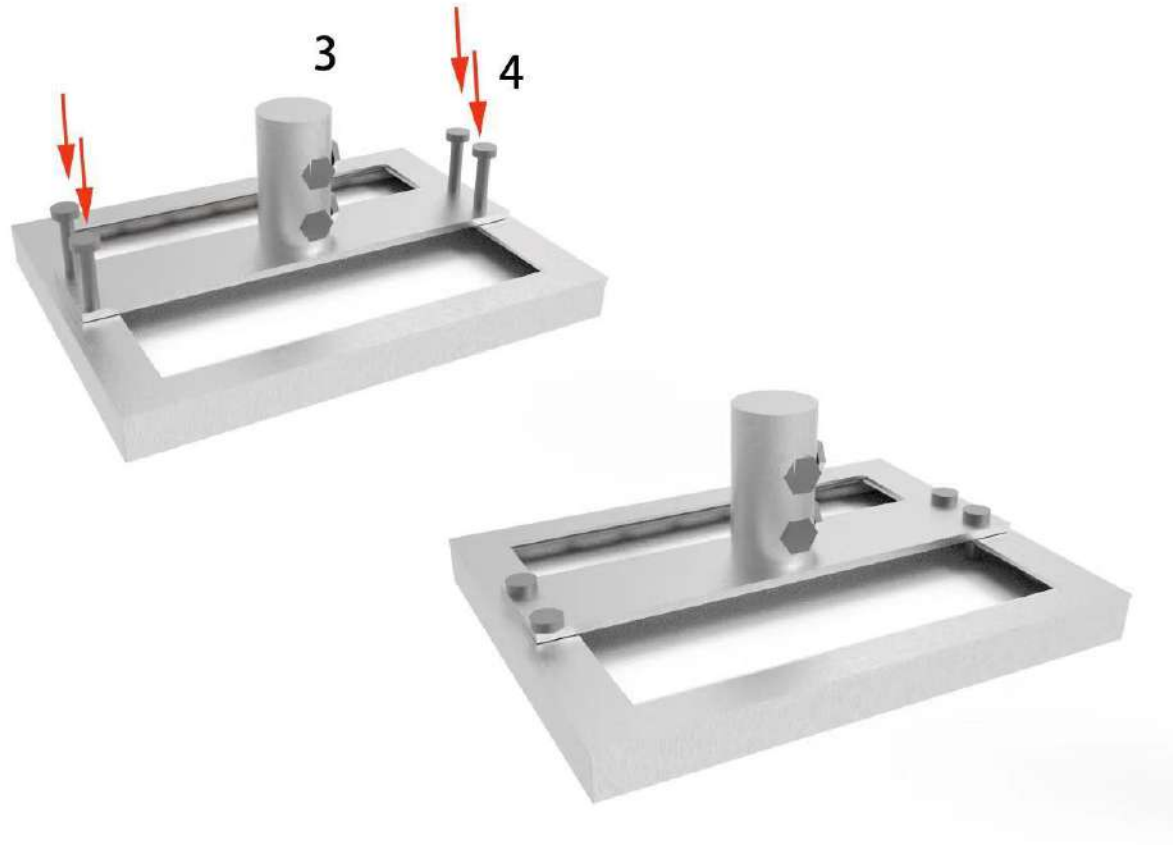


A radar package

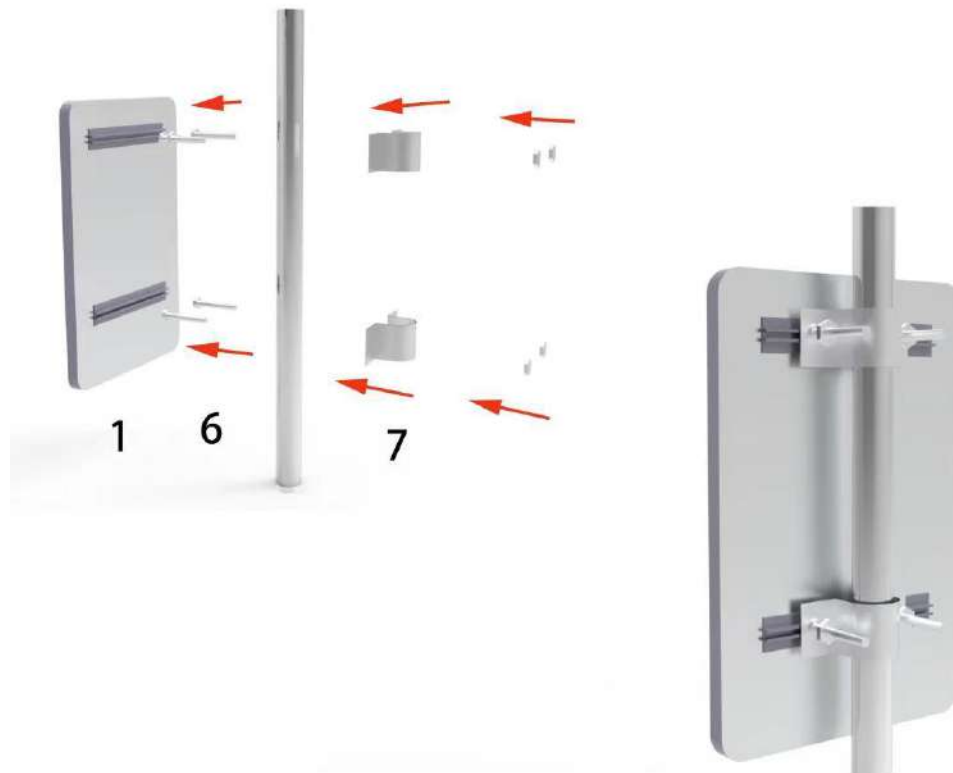
- What's inside ?



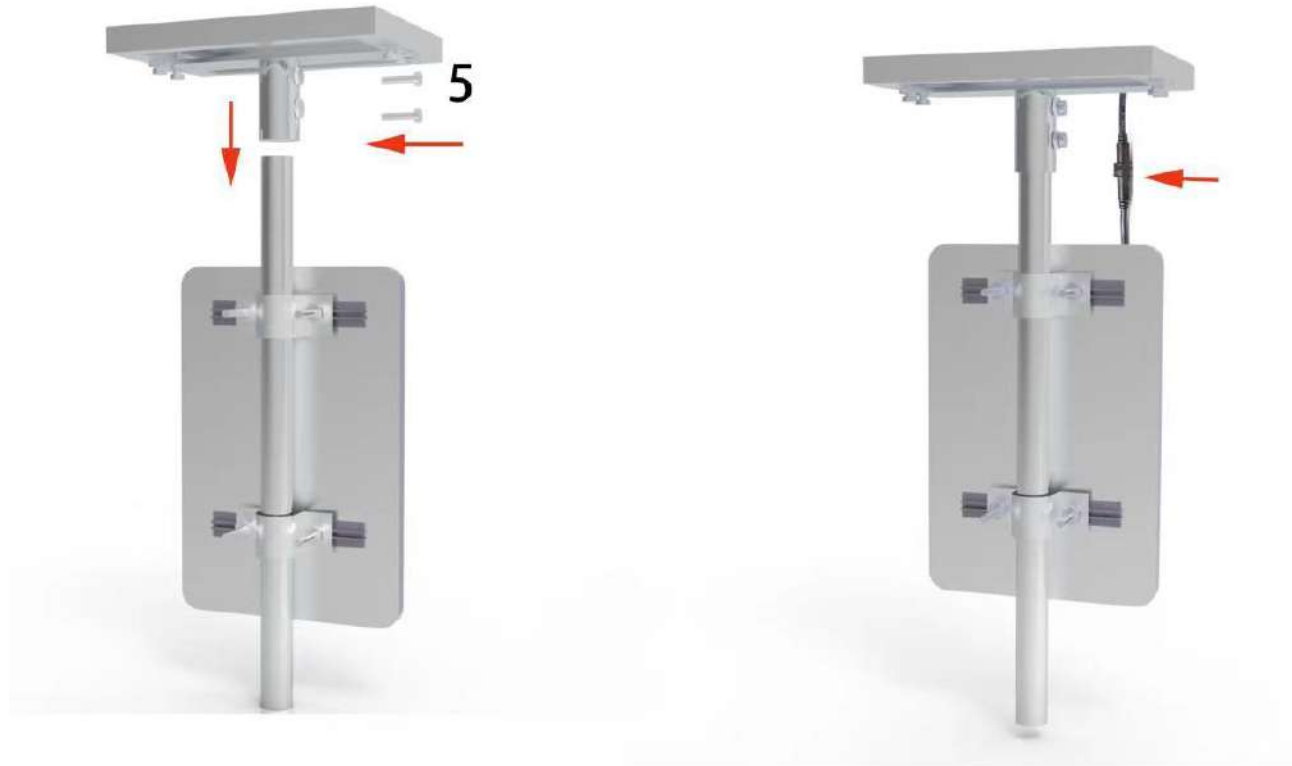
The installation of solar panel



Setting up a radar with a pole



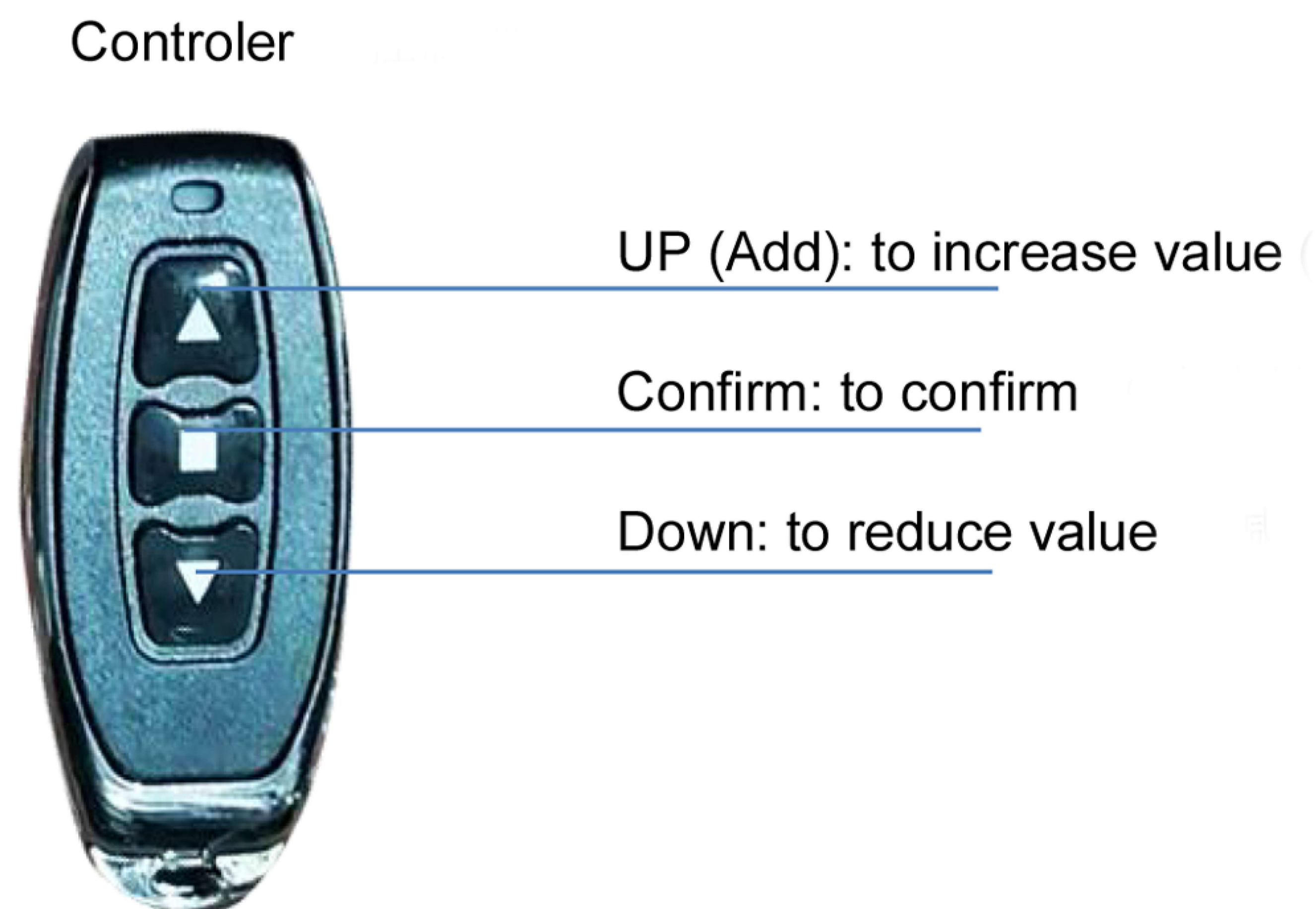
Connecting a solar panel with a radar



The installation finished

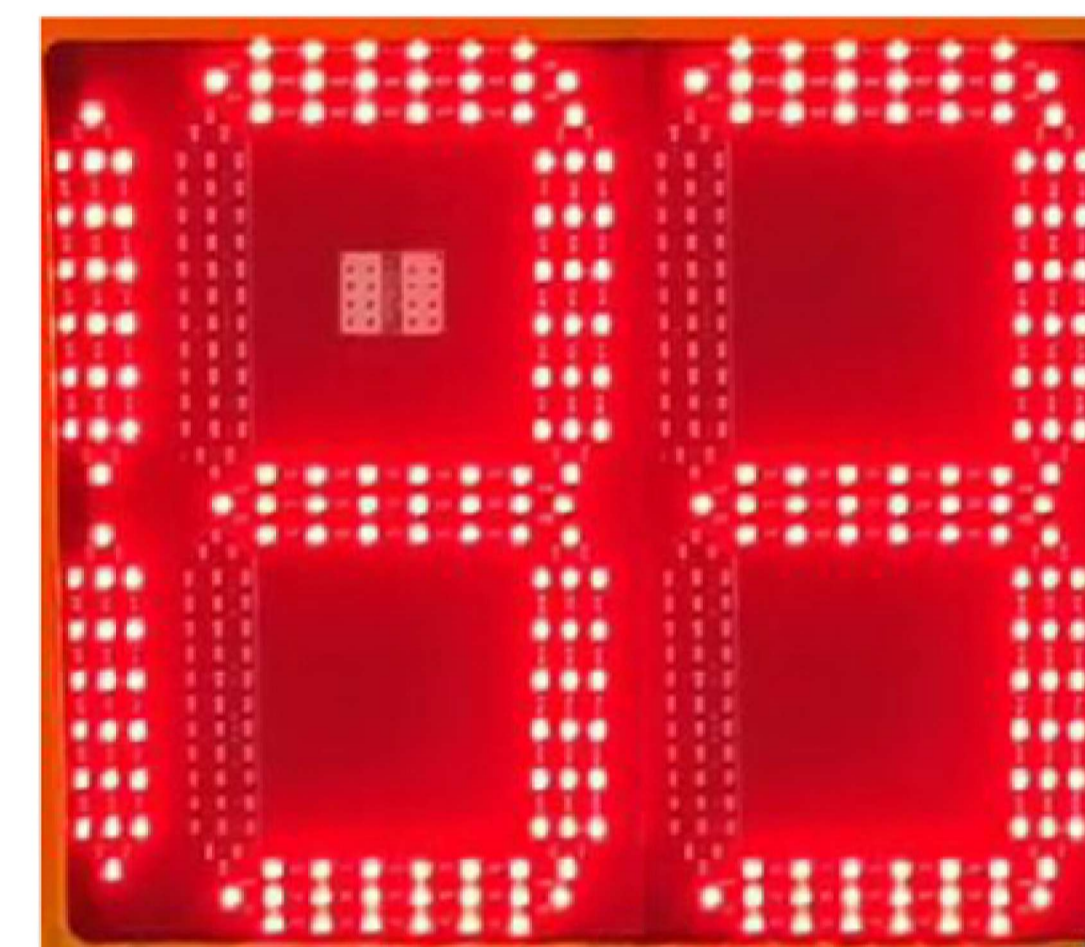


Radar Speed Sign Setup Tutorial

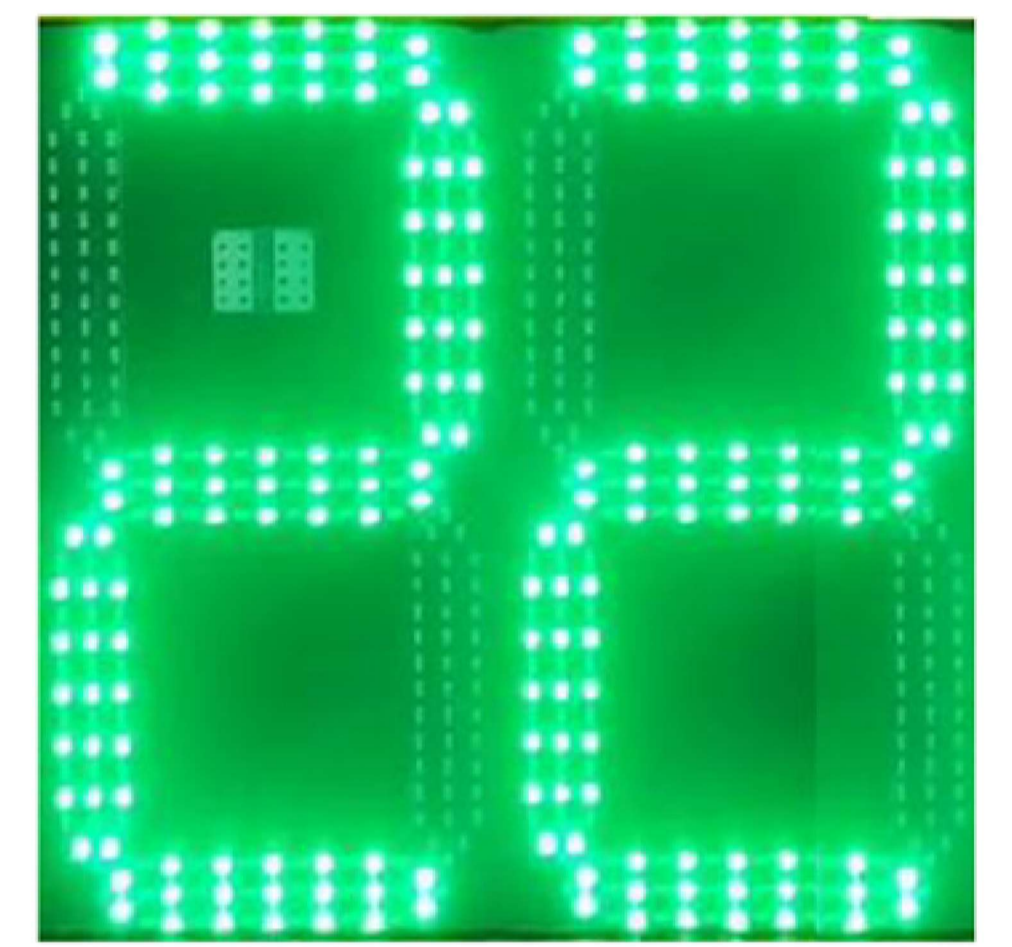


How to reset the value of radar speed sign?

1. Double press the button "Confirm", for a three digits sign a red number of "133" will be display on the sign.
(For a two digits sign, the number will be green "22".)

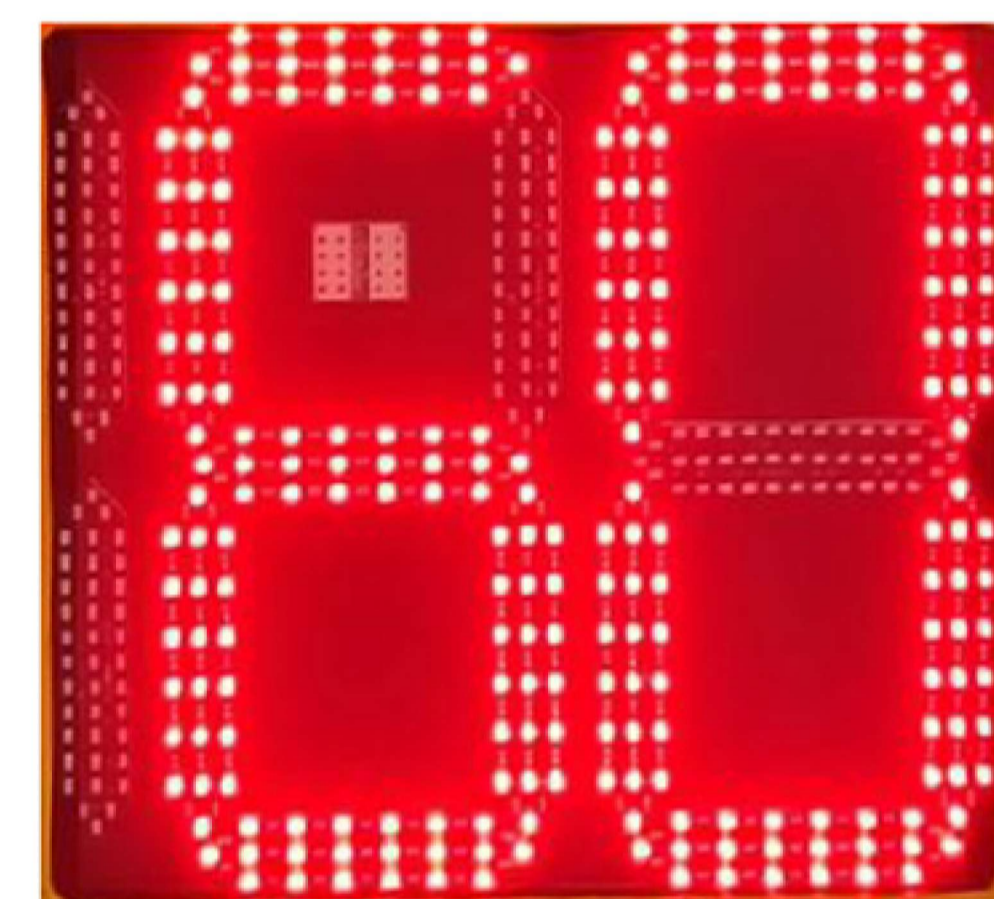


3 digit sign

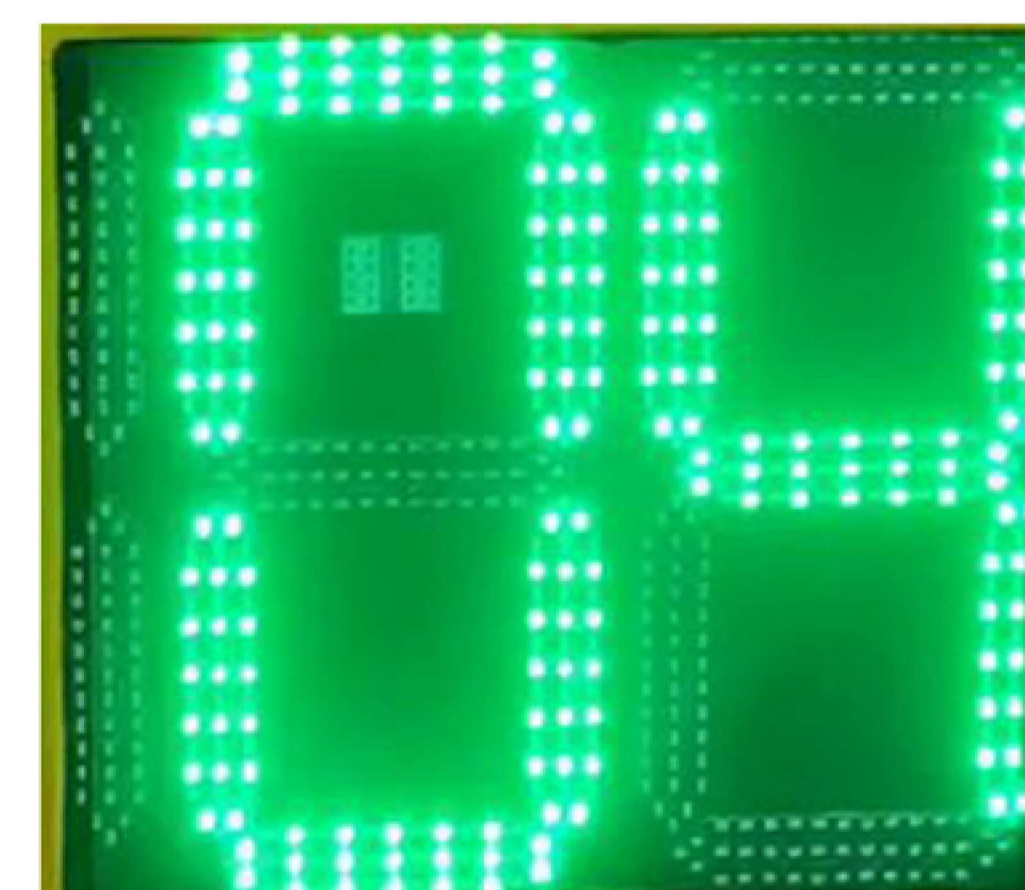


2 digit sign

2. Press the button "confirm" to choose a right number. And you will get a red number of "60", which is the speed limit value means speed limit 60km/h



3. Press button "UP" and "Down" to set a right speed limit number you want. Then press button "Confirm" and you will get a green number of "04", means 04km/h, which is the lowest speed which the sign can display. Press "up" and "down" to set a right number you want. (We suggest to set no less than 4km/h)



3. Press button "confirm" to finish the setup. The screen will display numbers up and down to check the system, Wait a few seconds until it done and screen will go off.

Now all finished, you reset the radar speed sign successfully.

