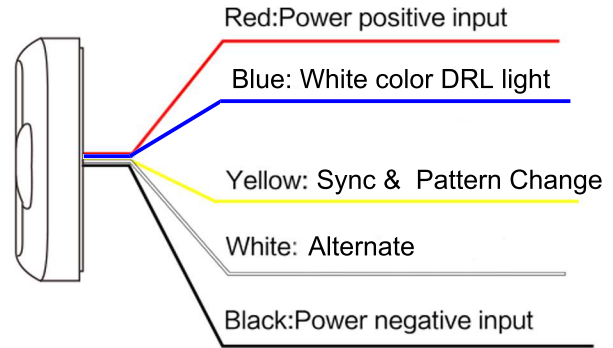




Wire Instructions:

- To activate the unit, extend the Red wire to a 12V post. Extend the black (-) wire to the ground post of the vehicle's battery.
- Synchronization: To Sync two or more light heads together: Connect all the Yellow wires together.
- To select Flash Pattern, apply YELLOW to RED - Less than 1 second for next pattern



Product Features:

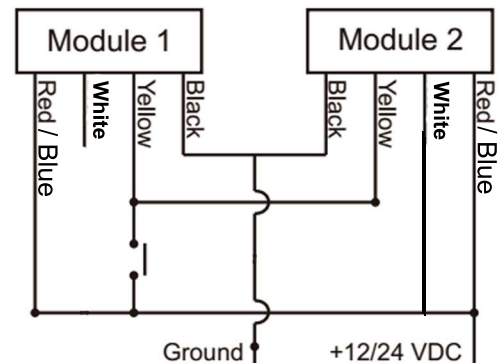
- 4 Pcs 3W CREE or Osram LEDs and 4 Pcs 0.5W white LEDs for DRL
- Compliant with ECE R65 and R10, SAE J595 class 1.
- Powered by DC 12 -24V
- Single color available
- Surface mount or 3M mount for optional choice
- New design program and easy to sync and alternate lights together
- IP-67 Standard, Weatherproof
- Built-in 19 selectable flash patterns
- Aluminum base for efficient heat dissipation

Specifications:

LED Power: 3W LEDs
Lens: /
LED Lifespan: 100000H
Flash Pattern: 19
Input Voltage: 12-24V
Max Power: /
Max Current: 700mA@12.8V DC
Ambient Temperature: -30~+70 C
Waterproof: IP67
Dimension: 57 x 45 x 11mm
Mounting: Surface or 3M mount
Wire: 5 core
Cable length: 20cm
Material: PC lens and PP material



Pattern Alternately



Pattern Synchronization

